

## Vacuum Gripper

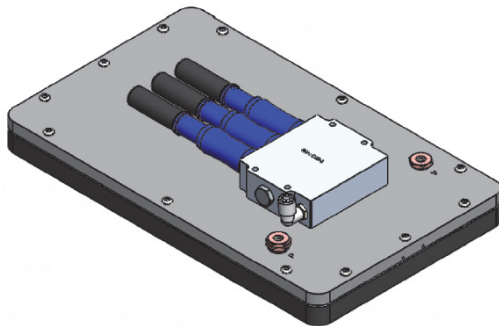
### Introduction

DMiG vacuum gripper is specially produced for handling with different shapes, dimensions and compactness. Perfect application to handle the entire layer for palletizing or de-palletizing in packaging industrial segment.

Gripper designed with built-in Vacuum Ejector and flow reductions can handle single product or a layer of products just by one gripper.

With this technology, DMiG vacuum gripper can fulfil the needs of many industrial sector applications.

DMiG vacuum gripper can be designed and built available in different sizes (maximum 400 x 240 mm), can be equipped with integrated built in Multi-stage vacuum pump or separated vacuum generation unit. (Vacuum pump or Side channel vacuum blower).



### Characteristics

- DMiG vacuum gripper with built-in Multi-stage ejectors offer a wide range of selection for suction capacity suitable for handling products with leakage
- DMiG vacuum gripper with external vacuum generation units perfect for large area application and handling of carton boxes with different dimension.( maximum 600 x 300 mm)
- Selection of 20 and 30 EPDM foam or Silicon foam for food industry used
- Different pattern and foam diameter: 6, 10, 15 and 20 mm. Also available with suction pads.
- Vacuum detection
- Easy maintenance
- Low energy consumption

### Applications

- Industries Application: Wood, metal sheet, plastics, Glass, packaging, food, Electronics, Electrical appliance, ....
- Specially in Automation lines for handling of products with many holes, high leakage carton box, rough and uneven surface, loose packing, ....
- Carton boxes palletization systems
- Carton boxes de-palletization systems
- Layer boxes handling

### Applications Pictures

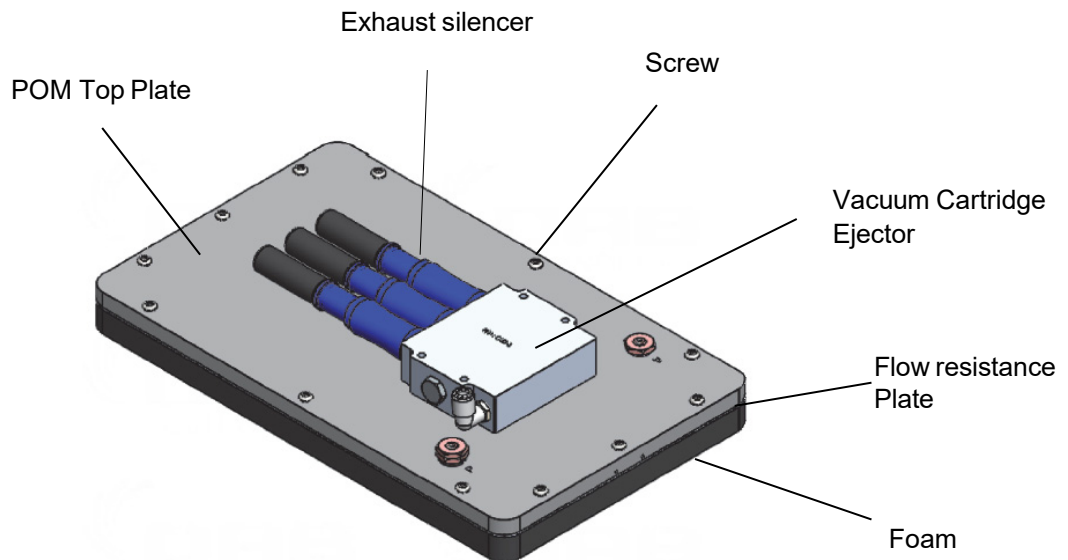


## Vacuum Gripper

### Ordering Information

**Part No : DMiG400240F20R05VVC2**

Series	Length (mm)	Width (mm)	Foam Thickness / Cup Diameter	Shape	Technology	Vacuum Generator Suction Capacity
DMiG	180	60	F10 – 10mm	R05 – Diameter 20mm	V – Check Valve	VC1 – 360 L/min
	200	120	F20 – 20mm		N – Flow resistance	VC2 – 720 L/min
	300	240	B16 – 16mm			VC3 – 1080 L/min
	400		B22 – 22mm			VC4 – 1440 L/min
			B30 – 30mm			G1 ¼ - Vacuum Blower
			B50 – 50mm			
			B60 – 60mm			



## Vacuum Gripper

### Air Consumption / Suction Capacity data related to numbers of Cartridge ejectors (5 bar)

Type	Air consumption at 5 bar (NI/min)	Suction Capacity (NI/min)
VC1	90	360
VC2	180	720
VC3	270	1080
VC4	360	1440

### Theoretical gripping force on flat surface with completely covered module, without safety factor (N)

Gripper with Foam 20/30/40 mm thickness, Standard 20 mm holes R05

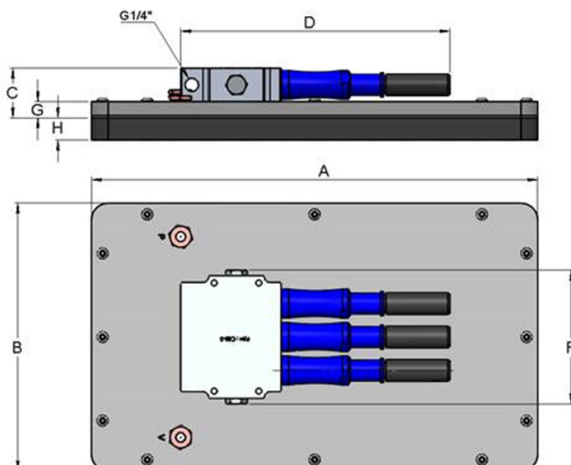
Type	Force at 30% Vacuum (N)	Force at 40% Vacuum (N)	Force at 50% Vacuum (N)	Force at 60% Vacuum (N)	Force at 70% Vacuum (N)
DMiG 400-240	858	1144	1430	1716	2002

### Design Data

Type	A	B	C	D	E	F	G	H	Weight (kg)
DMiG 180-60	180	60	74.2	266	97	45	G1/4"	20/30/40	1.5
DMiG 200-120	200	120	74.2	266	97	90	G1/4"	20/30/40	2
DMiG 300-240	300	240	74.2	266	97	90	G1/4"	20/30/40	3.5
DMiG 400-240	400	240	74.2	266	97	120	G1/4"	20/30/40	4.2

\*\* Information subject to change without notice

Unit dimension in mm



DMiG with built-in Vacuum Cartridge Ejector

## Vacuum Gripper

### Spare Part

#### Foam

#### DMiGFOAM40024020R05

Model	Length (mm)	Width (mm)	Thickness	Shape
DMiGFOAM	150	100	10;10mm	R05: Diameter 20 mm
	200	120	20:20mm	
	300	200		
	400	240		
		300		

#### Flow Resistance Plate

#### DMiGPLATE4002408R05

Model	Length (mm)	Width (mm)	Hole (mm)	Shape
DMiGPLATE	150	100	0.8 : 0.8mm	R05: Diameter 20 mm
	200	120		
	300	200		
	400	240		
	600	300		

#### Suction Cup

#### Ordering Code

B	50	TPU	G14M
1	2	3	4

1 - Series

Code	Version
B	1.5 folds

2 - Suction area

Code	Diameter in mm
16	Ø16mm
22	Ø22mm
30	Ø30mm
50	Ø50mm
60	Ø60mm

3 - Material

Code	Material
TPU	Thermoplastic Polyurethane

4 - Fitting Thread Size

Code	Connection
G18M	G18 Male
G18F	G18 Female
G14M	G14 Male
G14F	G14 Female